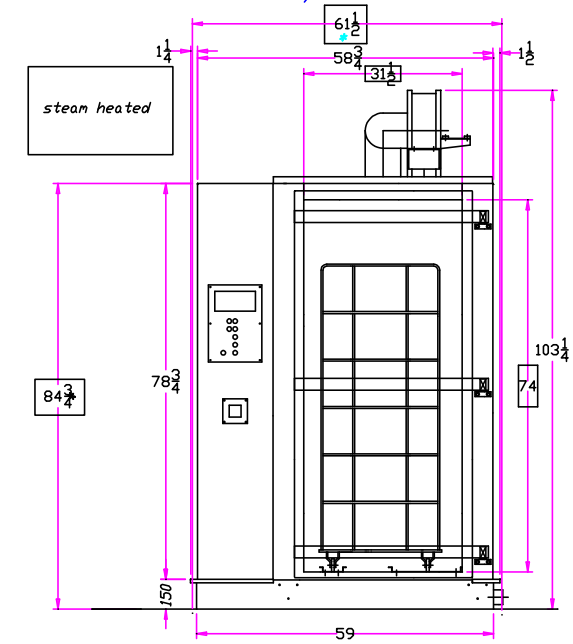
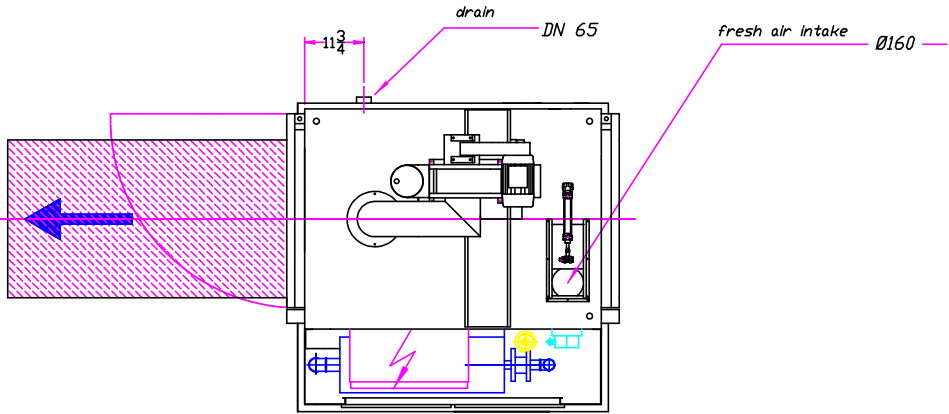
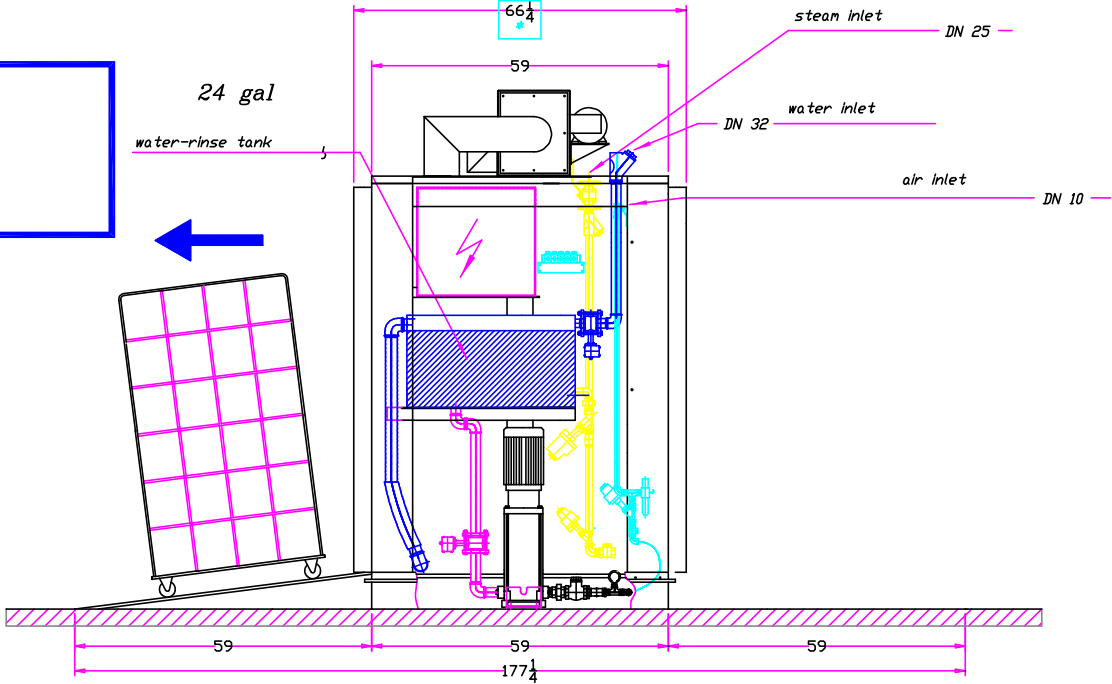


TROLLEY WASH MODEL T1/A



-Useful inside length
59"

* Removable



weight

water pump for sprinklers at 145PSI 4KW-3000T.-32 gal/min.

steam exhaust 1,5KW - 3000T.

water-rinse tank 24 gal

steam inlet DN 25

water inlet DN 32

air inlet DN 10

drain DN 65

steam outlet Dia. 160mm.

air consumption ±1.76 cfm



Electrical 220 V, 380 V, 3 x 2,5 mm + T. + N. 2

scale:

Subject to change



CONFIDENTIAL
Belgium

Nr : 030921DS1	Typ : TW Type S1
Dat : 20/02/03	Get : ASH