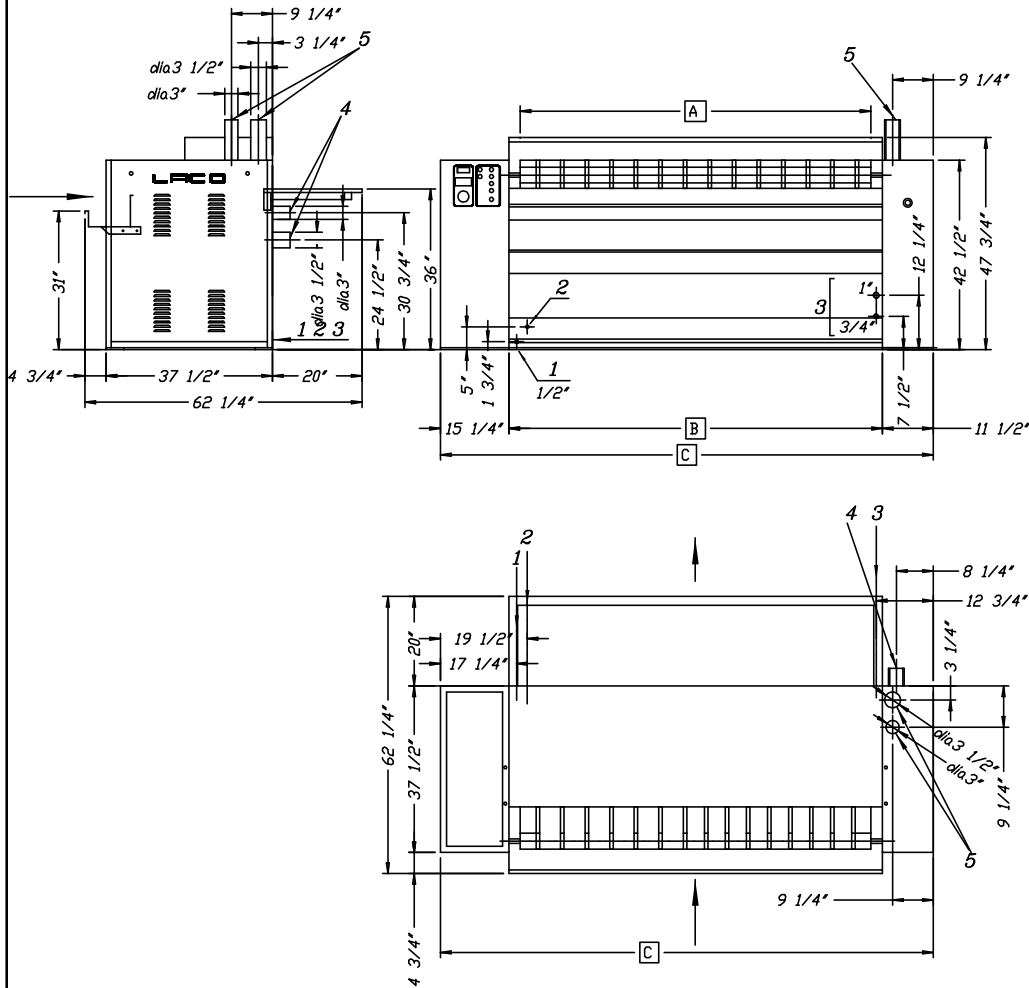


IRONER LACO 500 PASS THROUGH

D 500



1	Gas Heated	D500/1750 (69"): 119,000 Btu D500/2000 (79"): 119,000 Btu D500/2200 (87"): 139,000 Btu D500/2500 (98"): 159,000 Btu D500/3000 (118"): 179,000 Btu	Gas burner
2	Electrically Heated	D500/1750 : 30KW D500/2000 : 30KW D500/2200 : 35KW D500/2500 : 40KW D500/3000 : 45KW	Electrically heated
3	Steam Heated	IN 1" - OUT 3/4"	
4	Roll Exhaust	dia 3"	Gas Exhaust dia 3 1/2"
5			

Working Width	A	B	C
	69"	74"	100 3/4"
	78 3/4"	83 3/4"	110 3/4"
	86 1/2"	91 3/4"	118 1/2"
	98 1/2"	103 1/2"	130 1/4"
	118"	123 1/4"	150"

	5 - 13 feet/min	Ironing speed
	0,37kw - 1500 rpm 0,5 HP - 1500 rpm	Roll drive motor
	0,25kw -3000 rpm 0,33 HP -3000 rpm	Exhaust motor
	2,2kw - 3000 rpm 3 HP - 3000 rpm	Circulation pump motor
	0,25 kw - 1500 rpm 0,33 HP - 1500 rpm	Hydraulic pump motor
	D500/1750 : 2,000 lbs D500/2000 : 2,200 lbs D500/2200 : 2,500 lbs D500/2500 : 2,700 lbs D500/3000 : 3,600 lbs	Weight

scale:

CONFIDENTIAL Subject to change

N.V. **LACO** S.A
MACHINERY Belgium

Nr : 3133

Typ :

Dat : 03/10/02

Get : frank