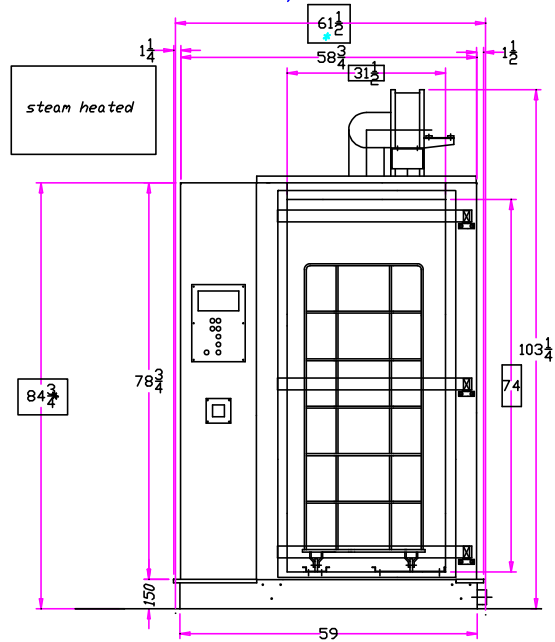
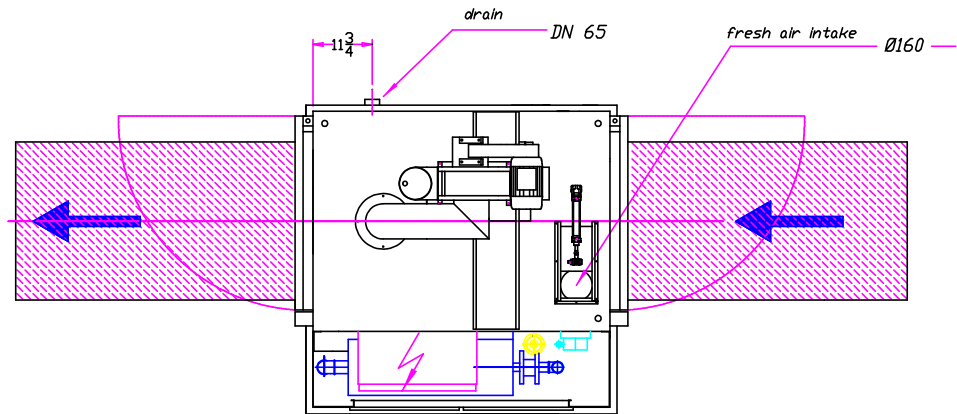
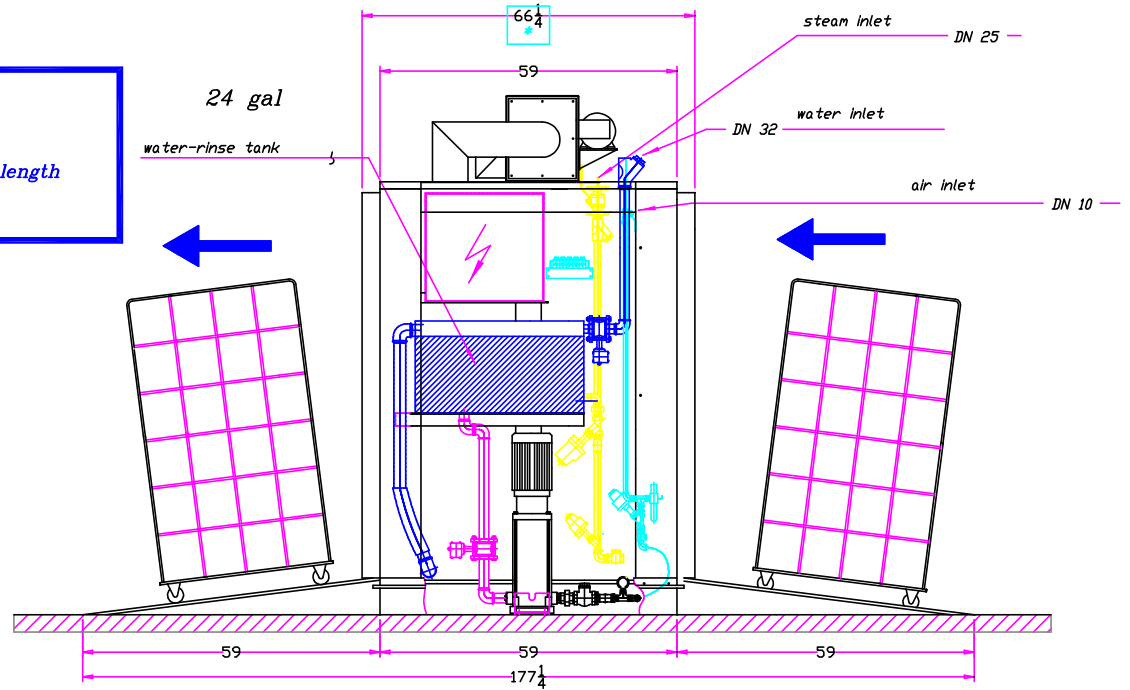


TROLLEY WASH MODEL T1/A Medicare



-Useful inner-cabin length
59"

* Removable



- weight
- water pump for sprinklers at 145PSI 4KW-3000T.-32 gal/min.
- steam exhaust 1,5KW - 3000T.
- water-rinse tank 24 gal
- steam inlet DN 25
- water inlet DN 32
- air inlet DN 10
- drain DN 65
- steam outlet Dia. 160mm.
- air consumption ±1.76 cfm

⚡ Electrical 220 V. 3 x 2,5 mm + T. + N. 2
380 V.

scale:

Subject to change



CONFIDENTIAL
Belgium

Nr : 4099	Typ : TW Type S1
Dat : 20/02/03	Get : ASH