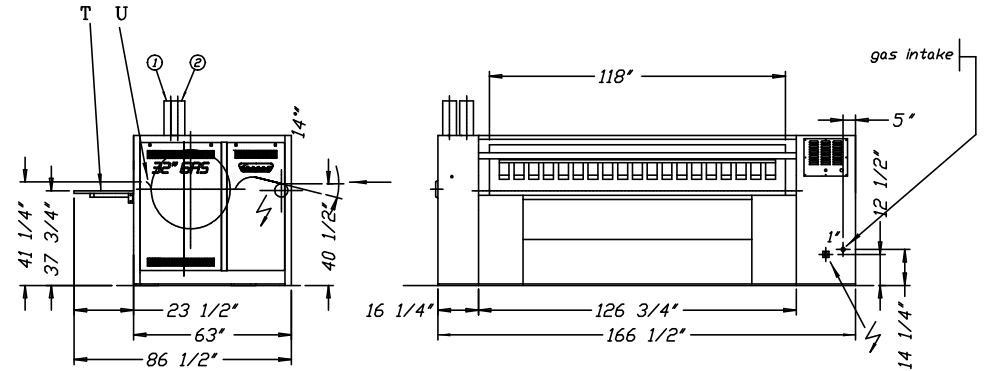
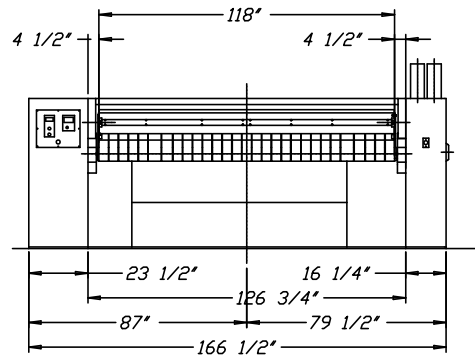
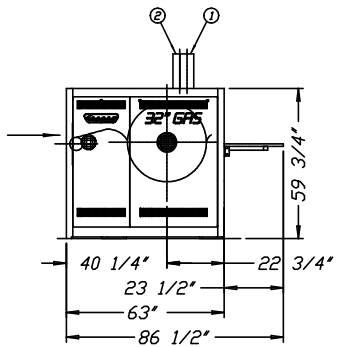


IRONERS

ONE ROLL 32" x 118" GAS 32" x 118"

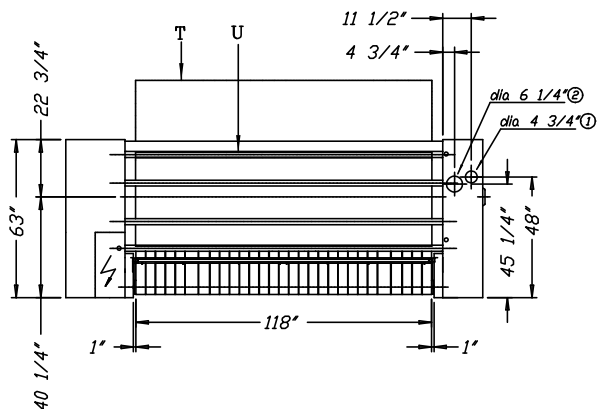
SUCTION ON FEEDING TABLE



T if with delivery table

U without table

65"x60" min doorway



gas inlet	1"
gas exhaust ①	dia 4 3/4"
roll exhaust ②	dia 6 1/4"
drive motor	5 1/2 H.P.-950R.P.M
exhaust motor	1 H.P.-2850R.P.M
exhaust motor feeding table	1 H.P.-2850R.P.M
pump motor	1/2 H.P -1380R.P.M
circulation pump	4 H.P- 2875 R.P.M
electrical	3x16mm ² +N +T
main fuse	40 Amps

CONFIDENTIAL subject to change

scale:



Belgium

Nr :	3724	Typ :	mono 32"
Dat :	03/09/03	Get :	frank