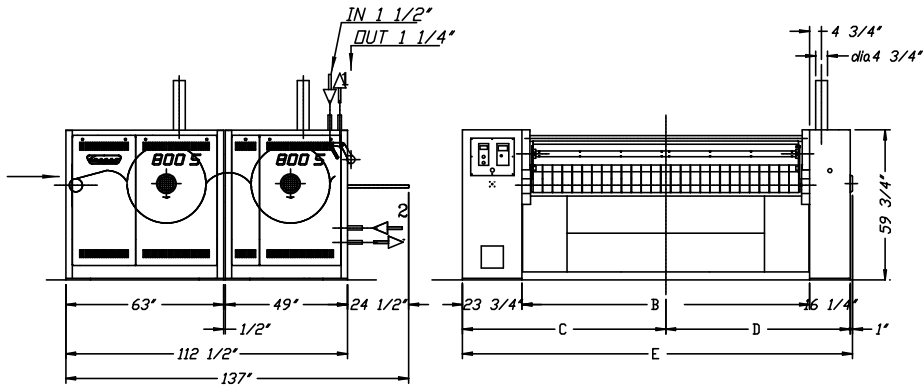


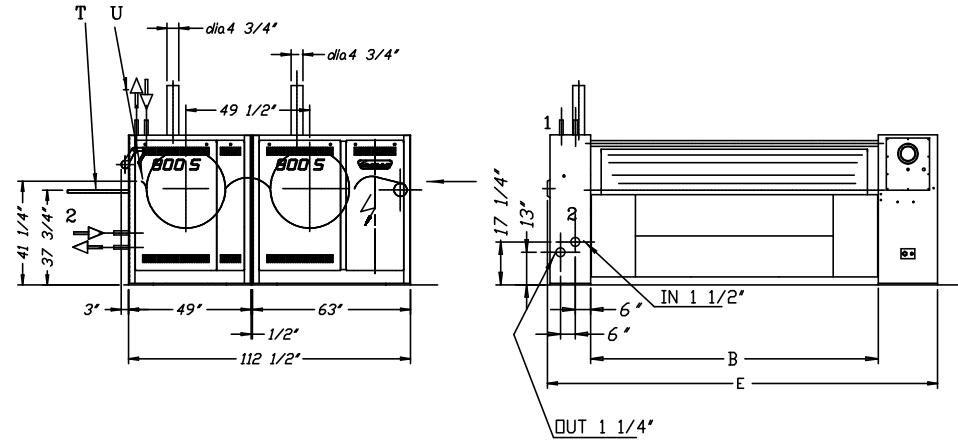
IRONERS DUO 32° S

Fig dia 32"x106 1/4"

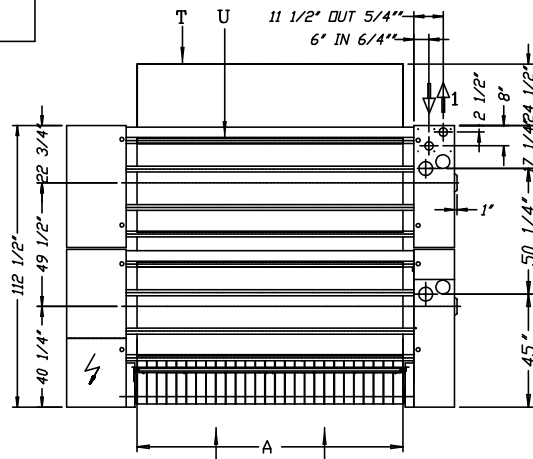


T if with delivery table

U without table



65"x60 1/4" min doorway



A	82 3/4"	98 1/2"	106 1/4"	118"	130"	137 3/4"	157 1/2"	161 1/2"
B	91 1/4"	107"	115"	126 3/4"	138 1/2"	146 1/2"	166 1/4"	170"
C	69 1/4"	77 1/4"	81"	87"	93"	96 3/4"	106 3/4"	108 1/4"
D	61 3/4"	69 3/4"	73 1/2"	79 1/2"	85 1/2"	89 1/4"	99 1/4"	101 1/4"
E	132"	147 3/4"	155 3/4"	167 1/2"	179 1/4"	187 1/4"	207"	210 3/4"

1 of 2	steam inlet	1 1/2"
1 of 2	condens return	1 1/4"
	exhaust outlet	dia 4 3/4"
	drive motor	7 1/2 HP-950 R.P.M
	exhaust motor	2x1 HP-2850 R.P.M
	pump motor	0,5 HP-1380 R.P.M
	electr connection	380V: 3x10 ² mm +N +G
	main fuses	32 A

scale

Subject to change



CONFIDENTIAL
Belgium

Nr :	3734	Typ :	DUD 32° S.
Dat :	13/01/03	Get :	filip