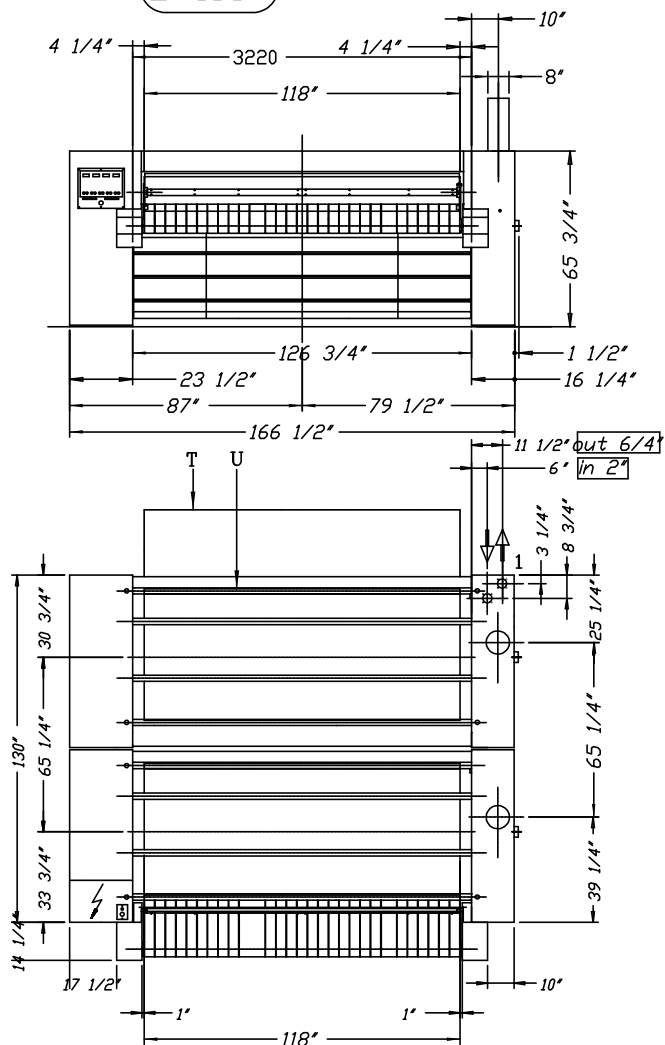


IRONER

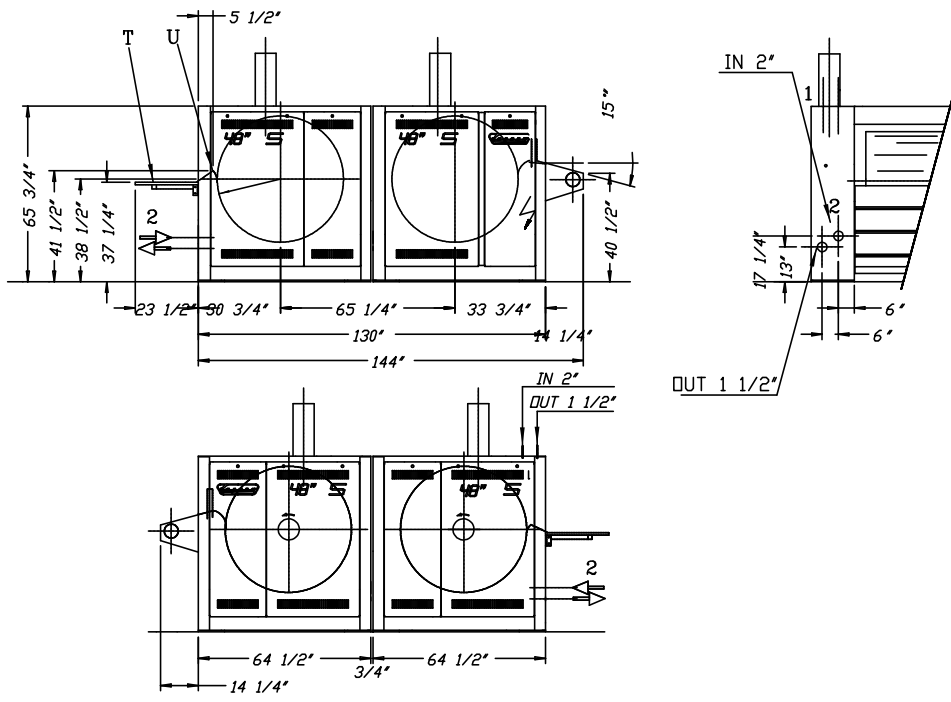
DUO 48" S.

$L=118''$

$\phi 1200$

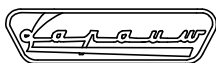


T if with delivery table U without table $66\ 1/4'' \times 66\ 1/2''$ min doorway



steam inlet	2"	1 of 2
condensate return	1 1/2"	1 of 2
exhaust outlet	dia 8"	
drive motor	20 H.P.-1500 R.P.M	
exhaust motor	2x 2 H.P.-3000 R.P.M.	
pump motor	1/2 H.P.-1400 R.P.M	
electr connection	380v : 3x16mm ² +N +T	
Amps.	63A	

scale:1/50



Belgium

Nr :	3846B	Typ :	DUO 48"
Dat :	21/02/02	Get :	Frank